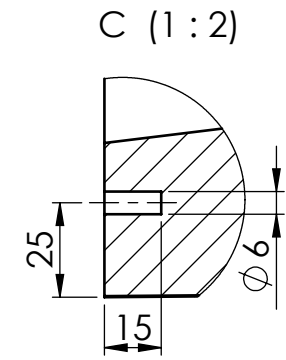
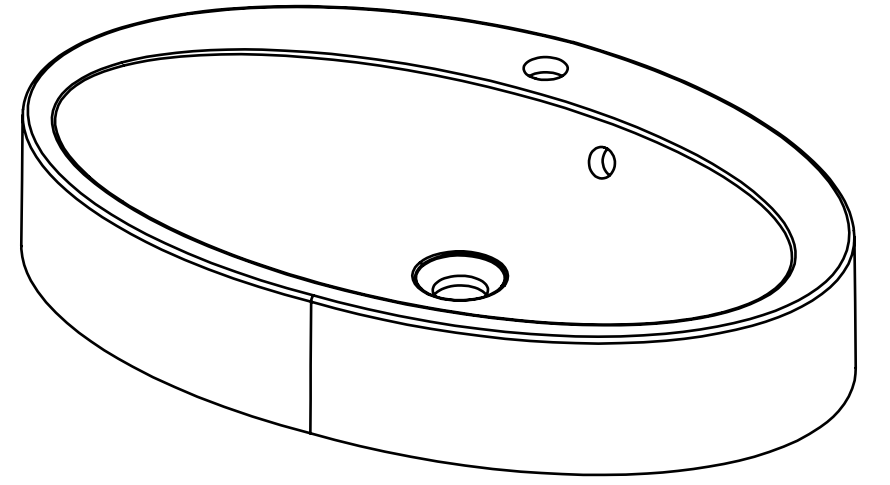
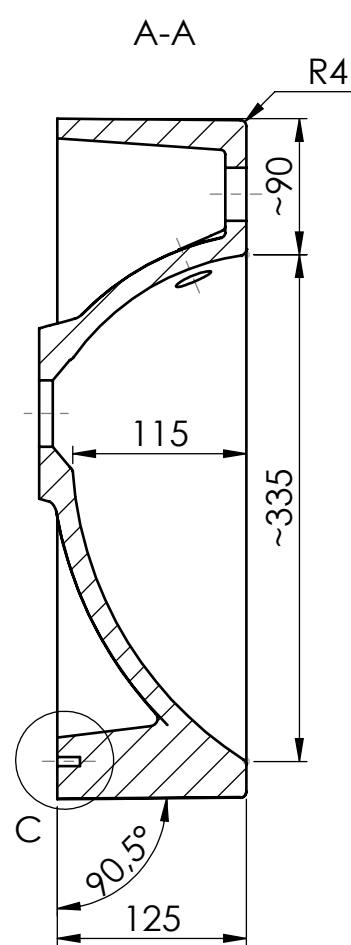
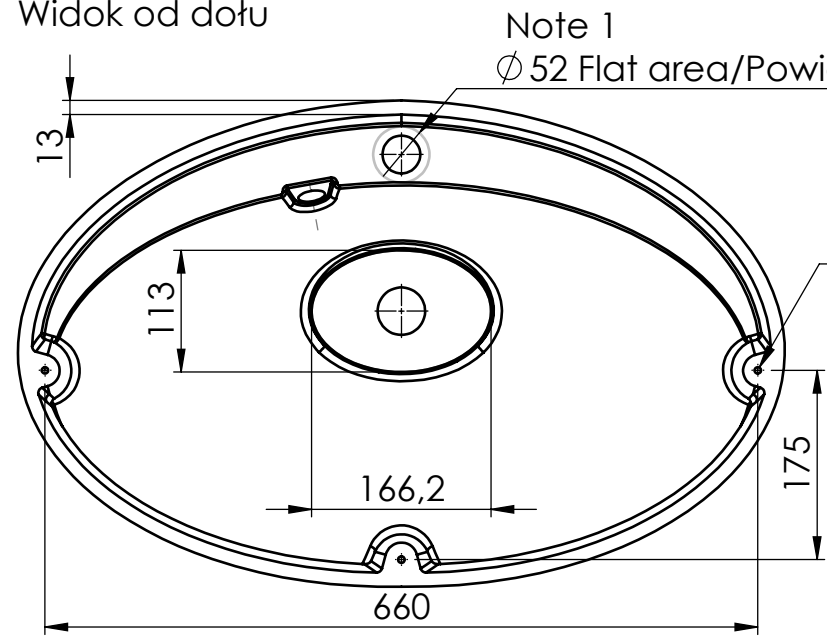


Note 1



Bottom view/  
Widok od dołu



Note 1  
Ø52 Flat area/Powierzchnia płaska

(3x)M6 Nylon bushing/Plastikowy kolek

Tolerance total	length	+3/0 mm	Drawn by	Created Date	Checked by	Art. Name:
	width	+2/0 mm				Art. No:
Tol. height side walls	height	+2/-2 mm	Project status	Client		Customer ID: STD
	≤25 mm	+1/-1 mm				Material volume[mm³]
	>25 mm	+2/-2 mm				Overflow
Tolerance holes location		+2/-2 mm				Yes
Tolerance plane bending		+1,5/-1,5 mm				1
						710 x 450 / 137
						Surface area[mm²]
						Sheet Size
						A3
						Scale
						1:5
						Current revision